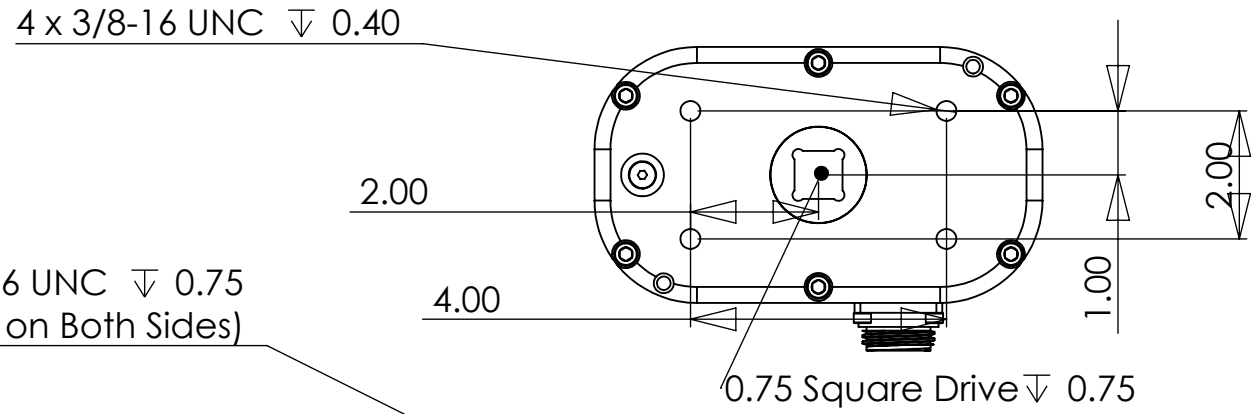
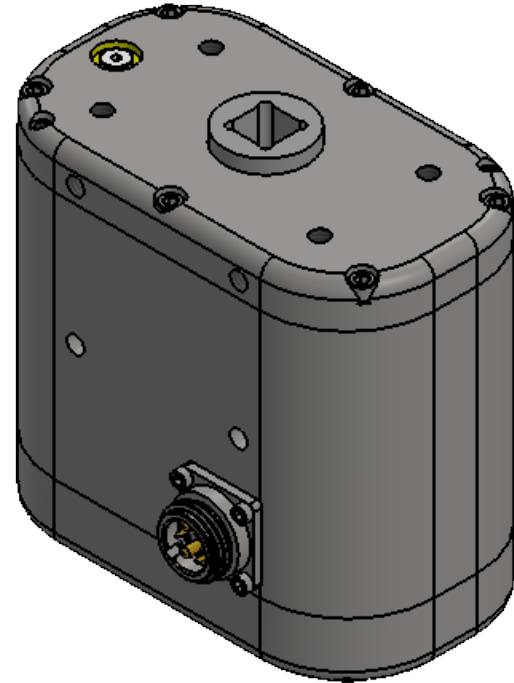


D

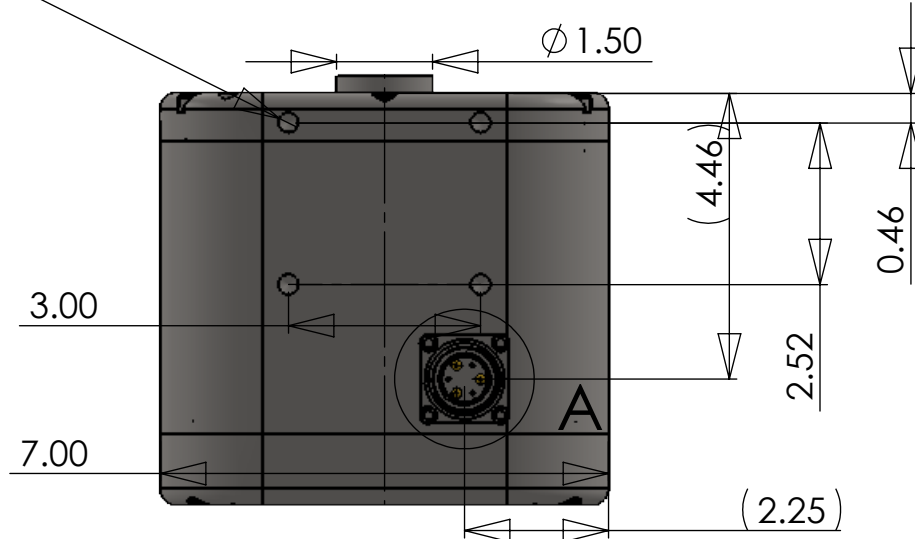
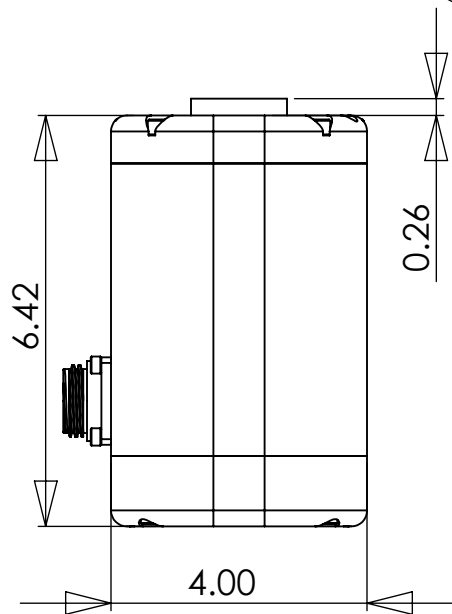
C

B

A



4 x 3/8-16 UNC ∇ 0.75
(Pattern on Both Sides)



3500 Rotary Actuator

General Specifications:

- Absolute angle feedback and turn counting
- Maximum rotational force: 100 foot pounds
- Maximum rotational Speed: 20 RPM@24V
- Brushless DC Motor
- Oil-Filled - Sealed - Compensated

Operating Conditions:

- Voltage 12 <-> 32 Volts DC nominal
- Operating depth greater than 10,000 ft
- Operating temperature range: -20°C to 65°C
- Storage temperature range: -30°C to 85°C

Onboard Motor Driver and Servo System:

- Configurable current limits, power and speed
- RS-232 & RS-485 Interface
- Optional Analog, Modbus or CAN Bus
- Contactless non-wearing absolute position angular encoder
- Does not require homing
- 0.1 degree resolution

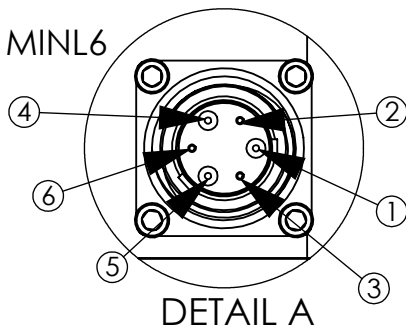
Current Draw @24V DC:

- Idle current = 0.06A
- Motor ON braking = 0.12A
- Max torque @ Stall = 8A
- 20 RPM @ 50 foot pounds = 13A
- 20 RPM @100 foot pounds = 25A

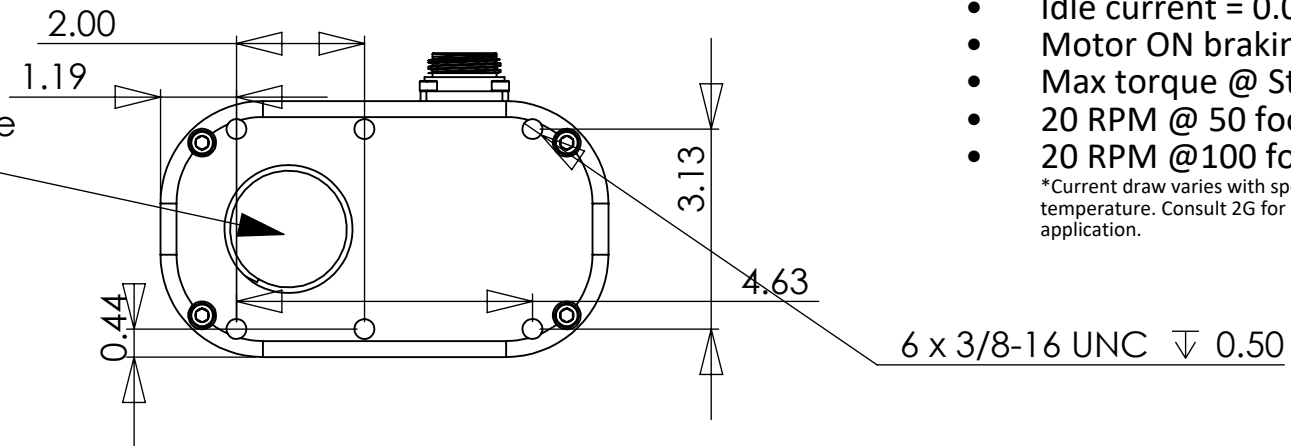
*Current draw varies with specific motor winding used and temperature. Consult 2G for information specific to your application.

Pinouts for Seacon MINL6

- 1: -VIN
- 2: RS-232 GND
- 3: TX (RS-232 out)
- 4: +VIN
- 5: Unused
- 6: RX (RS-232 in)



Integrated Pressure Compensator



| Shaft Style | | Socket Size(in.) | | Material | | Dry Weight (lbs) | Wet Weight (lbs) | Connectors | |
|--------------------------------|----|------------------|---|-----------------------|-----|-----------------------------|------------------|----------------------|--|
| Socket * | SK | 3/4 * | E | Titanium | TI | 22 | 17 | 6 Pin Seacon MINL6 * | |
| Splined | SP | 1 | G | 316 Stainless Steel * | SS | 32 | 27 | 8 Pin Male BH | |
| | | | | 6061-Aluminum-Black | ALK | 18 | 13 | 10 Pin Male BH | |
| | | | | 6061-Aluminum-Blue | ALB | 18 | 13 | 8 Pin Female BH | |
| | | | | 6061-Aluminum-Green | ALG | 18 | 13 | 10 Pin Female BH | |
| | | | | 6061-Aluminum-Red | ALR | 18 | 13 | | |
| * Model shown: 3500R-SKE-SS-6S | | | | | | All Weights Are Approximate | | | |

2G ENGINEERING
WWW.2G-ENG.COM

TITLE: **3500 Series Rotary Actuator**

SIZE **B** DWG. NO. **3500R** REV **A**

SCALE: 1:3 WEIGHT: 30.86 SHEET 1 OF 1

ENGINEERING

PROPRIETARY AND CONFIDENTIAL

THE INFORMATION CONTAINED IN THIS DRAWING IS THE SOLE PROPERTY OF 2G ENGINEERING. ANY REPRODUCTION IN PART OR AS A WHOLE WITHOUT THE WRITTEN PERMISSION OF 2G ENGINEERING IS PROHIBITED.

| | | |
|---------|------|-----------|
| DRAWN | GMPH | 9/12/2017 |
| CHECKED | GMPH | 9/12/2017 |